

Flamingo mini

1575

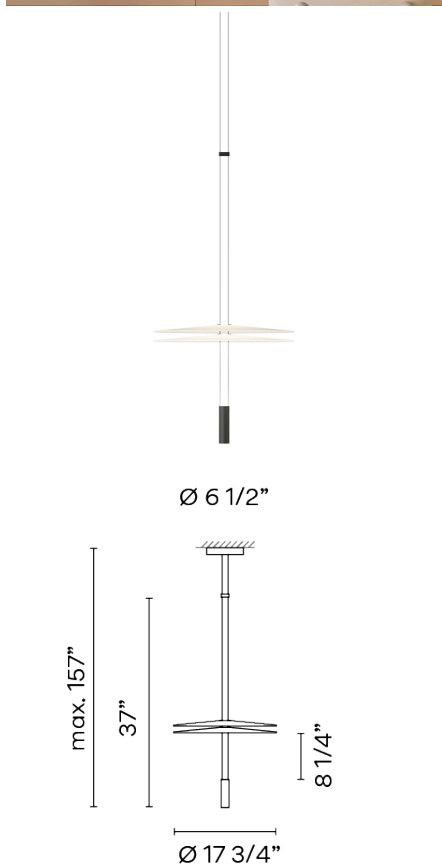
AM
STUDIO
CUSTOM LIGHTING

VIBIA

Design By Antoni Arola

This Flaming Mini pendant includes two different translucent diffusers together with matching light points featuring LED spot light to create attenuate and uniform lighting ambiances.

Spec sheet



undefined: undefined

Any modifications require a minimum order quantity and extra lead time

Finish  11 Black
NCS S 8500-N

LED 2700 K

Dimming 0-10V / TRIAC

Installation type Surface

LED CRI>90 726 lm 124
2700 K

Driver Constant Current 400 50~60 Hz HZ

IP20 Multi-volt 50-60Hz 0-10V

Application Pendants

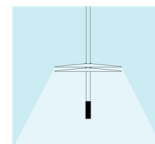
Packaging Box

Gross weight
Net weight

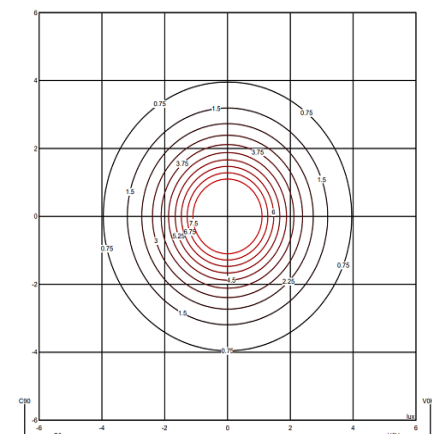
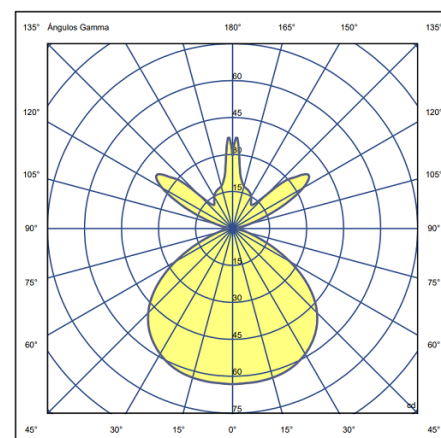
Lighting effect

Volumetric Diffuser

Subtly directed, diffused light that generates a soft hierarchy of light on to the illuminated surface



Photometric Data



Efficiency 100%
Coordination System CG
Total Flux 290.23 lm
Maximum Value 63.15 cd

All of our products come with a two year standard warranty. Check US & Canada Term and Condition sales@vibia.com

VIBIA, INC.

Office / Oficina
272 Fernwood Ave. Edison, NJ 08837. USA

International T 732 417 1700
Spain / Portugal T +34 934 796 970

sales@vibia.com
www.vibia.com/us/usa

Flamingo mini

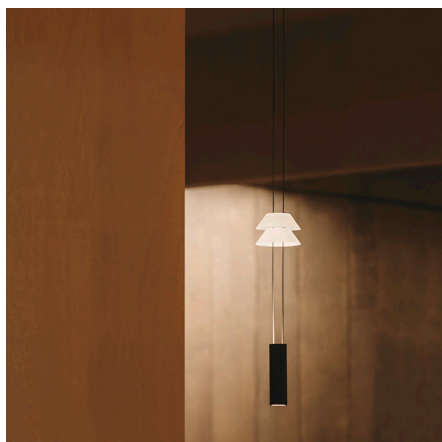
1580

VIBIA

Design By Antoni Arola

The Flamingo Mini pendant features a silhouette of minimal dimensions offering a sleek lighting and focal point towards a single point of light.

Spec sheet



undefined: undefined

Any modifications require a minimum order quantity and extra lead time

Finish 11 Black
NCS S 8500-N

LED 2700 K

Dimming 0-10V / TRIAC

Installation type Surface

LED CRI>90 726 lm 100.83
2700 K

Driver 400 50~60 Hz HZ

IP20 Multi-volt 50-60Hz 0-10V

Application Pendants

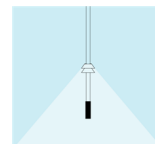
Packaging Box

Gross weight
Net weight

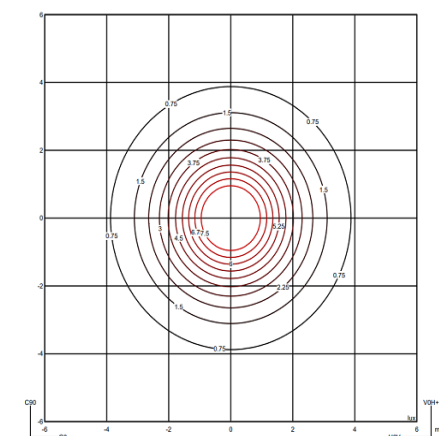
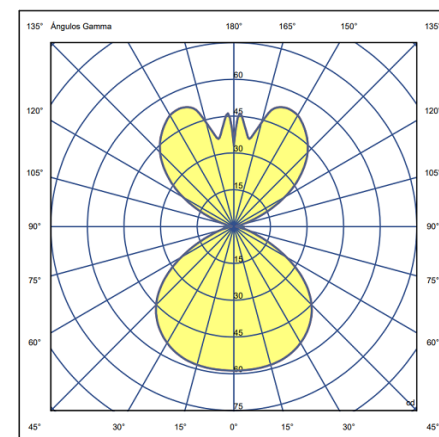
Lighting effect

Volumetric Diffuser

Subtly directed, diffused light that generates a soft hierarchy of light on to the illuminated surface



Photometric Data



Efficiency 100%
Coordination System CG
Total Flux 326.25 lm cd
Maximum Value 58.75

All of our products come with a two year standard warranty. Check US & Canada Term and Condition sales@vibia.com

VIBIA, INC.

Office / Oficina
272 Fernwood Ave. Edison, NJ 08837. USA

International T 732 417 1700
Spain / Portugal T +34 934 796 970

sales@vibia.com
www.vibia.com/us/usa

Flamingo mini

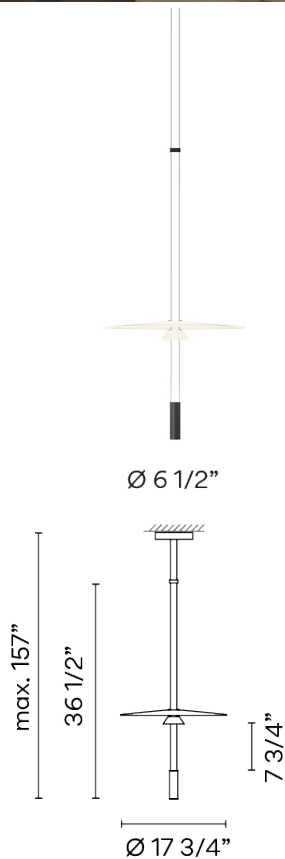
1585

VIBIA

Design By Antoni Arola

The Flamingo Mini pendant has two diffusers of different sizes that lend this suspended design an ephemeral and adaptable quality, the light fitting floats above our heads projecting gradations of light.

Spec sheet



Optional: Extra cable length

Min. Quantity, upcharge and extra lead time apply

Finish 11 Black
NCS S 8500-N

LED 2700 K

Dimming 0-10V / TRIAC

Installation type Surface

LED CRI>90 726 lm 100.83
2700 K

Driver Constant Current 350 120~277 V V
50~60 Hz HZ

IP20 Multi-volt UL 50-60Hz 0-10V

Application Pendants

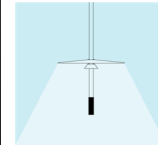
Packaging Box

Gross weight
Net weight

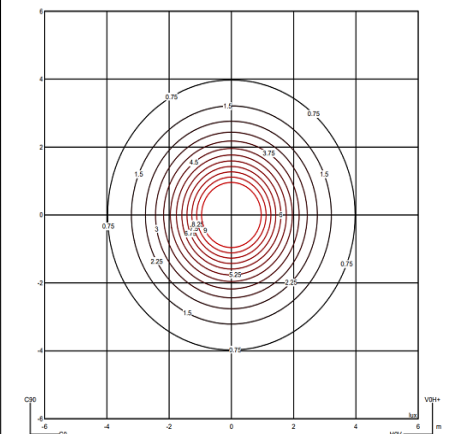
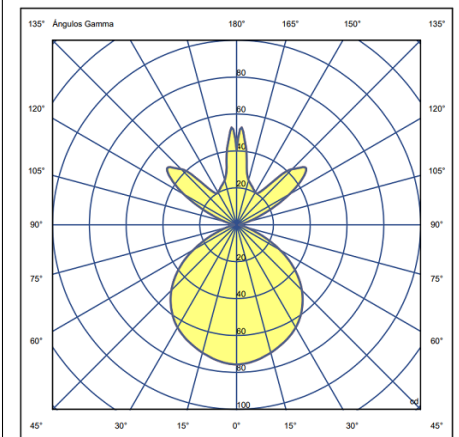
Lighting effect

Volumetric Diffuser

Subtly directed, diffused light that generates a soft hierarchy of light on to the illuminated surface



Photometric Data



Efficiency 100%
Coordination System CG
Total Flux 330.86 lm
Maximum Value 75.70 cd

All of our products come with a two year standard warranty. Check US & Canada Term and Condition sales@vibia.com

VIBIA, INC.

Office / Oficina
272 Fernwood Ave. Edison, NJ 08837. USA

International T 732 417 1700
Spain / Portugal T +34 934 796 970

sales@vibia.com
www.vibia.com/us/usa

Flamingo mini

1590

VIBIA

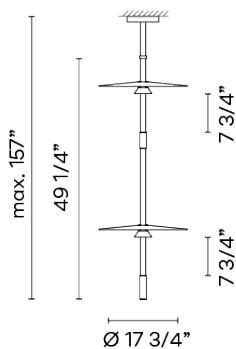
Design By Antoni Arola

Flamingo Mini offers an attenuated lighting through its different translucent diffusers, this model invites users to choose among three installation configurations.

Spec sheet



Ø 6 1/2"



undefined: undefined

Any modifications require a minimum order quantity and extra lead time

Finish 11 Black
NCS S 8500-N

LED 2700 K

Dimming 0-10V / TRIAC

Installation type Surface

LED CRI>90 1152 lm 106.66
2700 K

Driver Constant Current 600 120-277 V V
50-60 Hz HZ

IP20 Multi-volt 50-60Hz 0-10V

Application Pendants

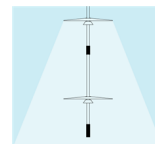
Packaging Box

Gross weight
Net weight

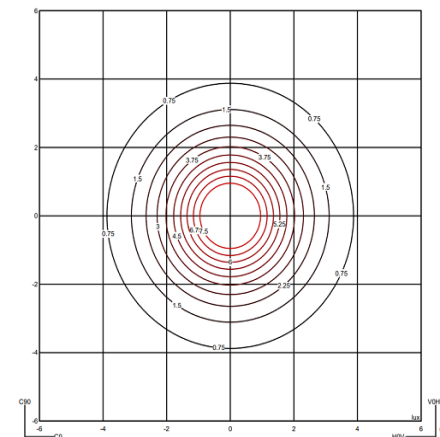
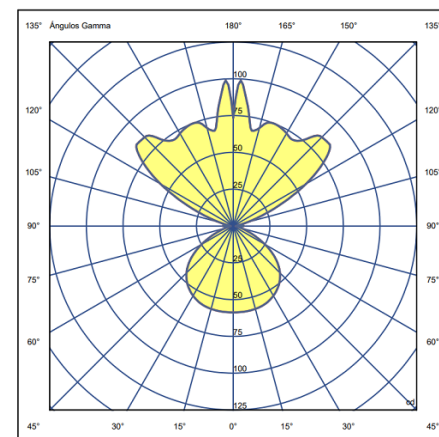
Lighting effect

Volumetric Diffuser

Subtly directed, diffused light that generates a soft hierarchy of light on to the illuminated surface



Photometric Data



Efficiency 100%
Coordination System CG
Total Flux 464.07
Maximum Value 98.42 cd